



Kleever Desk® Fixed Single Sided Desk

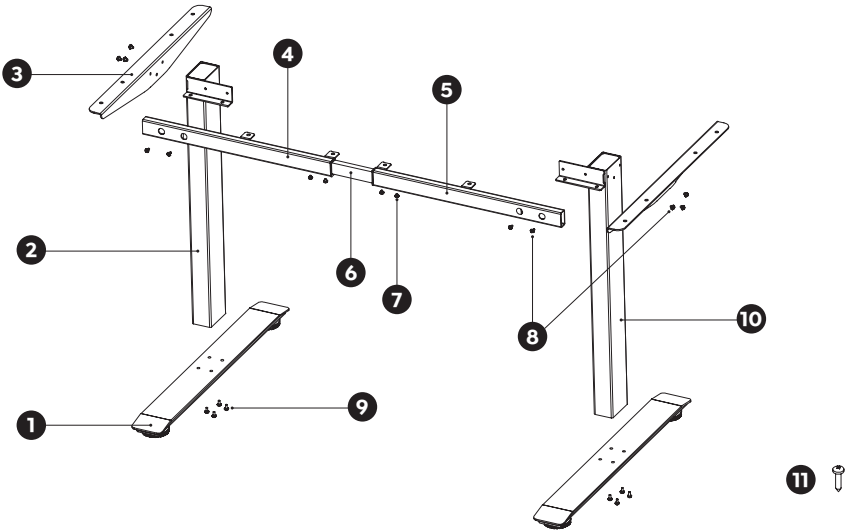
Quick Start Guide

Parts

10
min
Assembly Time

One Person

Tools Required

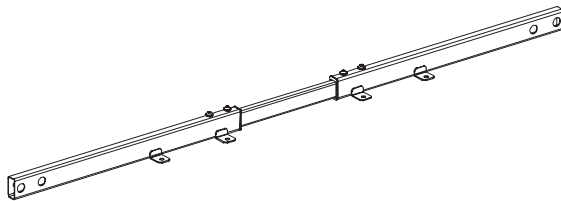
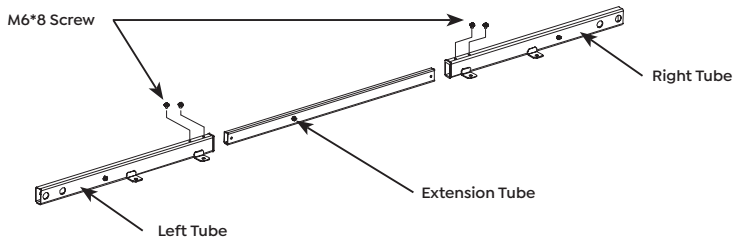



	Part Name	Qty (PCS)
1	Foot	2
2	Right Column	1
3	Side Bracket	2
4	Right Tube	1
5	Left Tube	1
6	Extension	1

	Part Name	Qty (PCS)
7	M6x8 Screw	4
8	M6x10 Screw	10
9	M6x16 Screw	8
10	Left Column	1
11	ST4.8x16 Tapping Screw	12

Installation

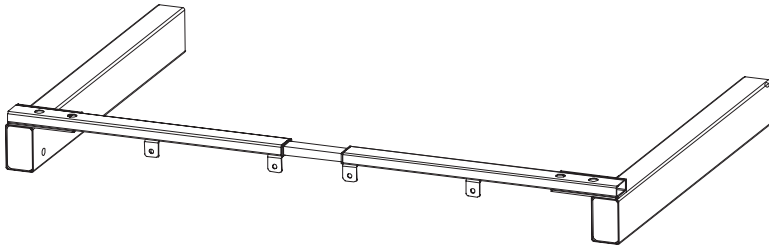
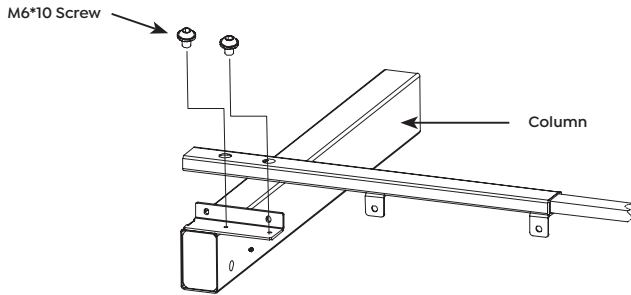
Step 1: Set the right and left tube flat. Insert the extension tube into the right and left tube as shown below, pre-tighten the screws.




 Avoid excessive tightening of screws

Installation

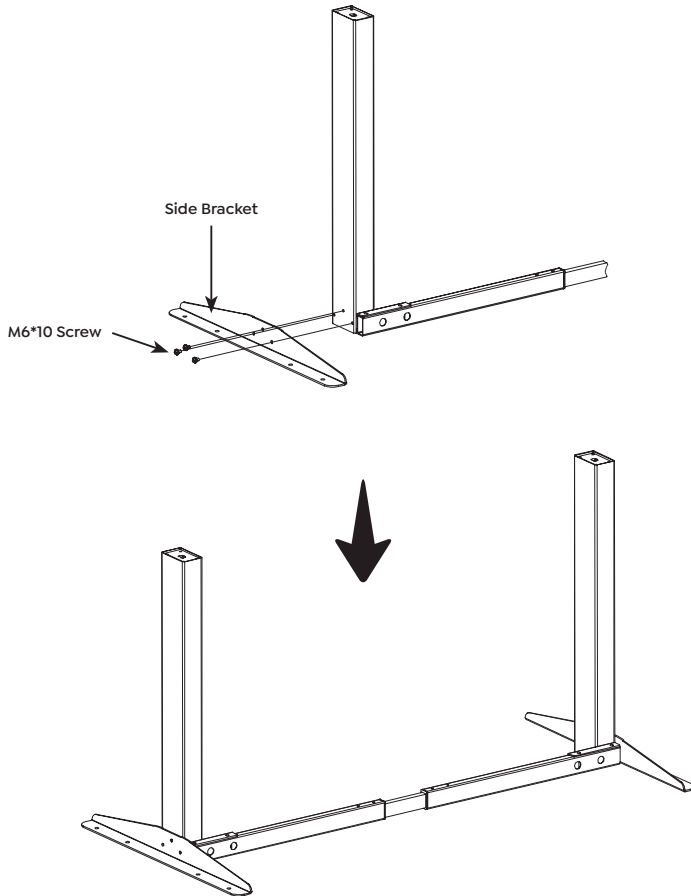
Step 2: Line up the holes of the right tube with the holes on the right column and the holes of the left tube with the holes on the left column. Fasten the screws.




 Avoid excessive tightening of screws

Installation

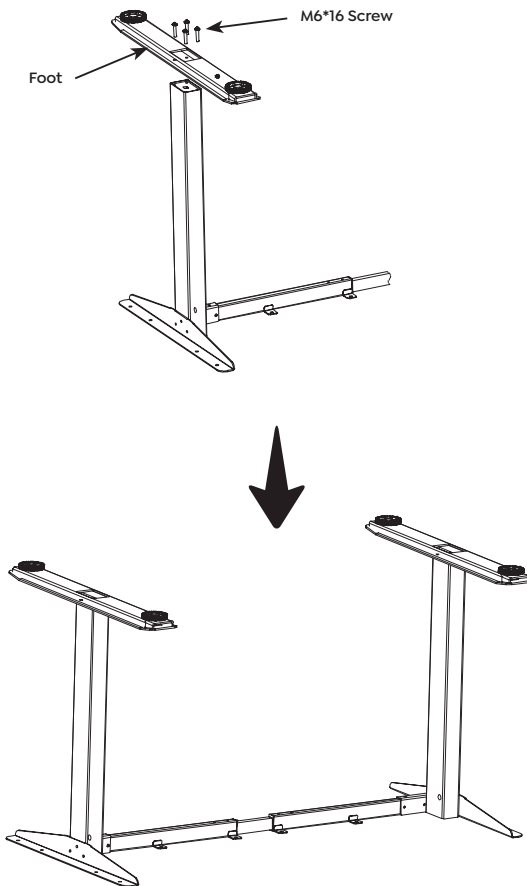
Step 3: Mount the side bracket on each side of the columns. Fasten the screws.




 Avoid excessive tightening of screws

Installation

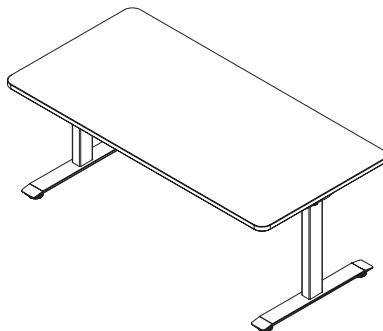
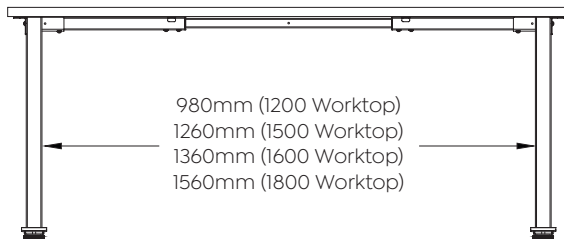
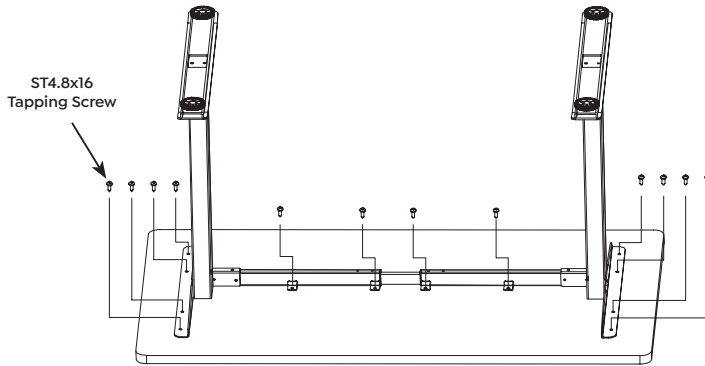
Step 4: Line up the screw holes on the foot with the holes on the column. Fasten the screws.



 Avoid excessive tightening of screws

Installation

Step 5: Check both sides of the desktop before placing the frame on the bottom side of the top. Adjust frame to suitable width (it is suggested that the below measurements are followed when setting the column spacing) and fasten all screws.





kleverdesk.co.nz