



Klever Personal

Welcome to the next level.

Exceptional European design, made for NZ workplaces - Klever is a smart, intuitive desk system for healthier and more productive workplace. Perfect for a broad range of desk users who need solutions to the post-COVID regulations.



Powered by **Intelligence.**

At the heart of our adjustable desk design is Klever Link. A revolutionary connectivity hub that ensures your furniture can flex with the needs of a more flexible way of working. With our Klever Link technology, you can track real-time desk occupancy, reserve desks, ensure necessary social distancing, and easily manage hot-desking, shared spaces or flexible working environments.



Designed in Germany



Powerful Anti-Collision
Protection System



20 Year Warranty

Klever Personal Features

- Connections via Bluetooth, active NFC, WiFi, and USB.
- Plug and Play technology.
- No need for an additional Hand Control.
- Cleanability: Robust design facilitates cleaning with agents that can eliminate COVID-19.
- APIs to create customized applications.
- MOTION@work App: Ergonomics & wellness in workplace.

Hardware Portfolio

- Other Interfaces:
 - Occupancy detection (PIR based)
 - Hand Control buttons LEDs
- Compatibility:
 - All LOGICDATA Control Boxes
 - DYNAMIC MOTION system
 - Fixed workstations.

MOTION@work App

- Specially developed App for Android and iOS.
- Bring freedom and flexibility to your workspace.
- Adjust your desk height directly through the App.
- Save your favourite positions to memory.
- Full control of your posture, comfort, and well-being.
- Sit/stand position adjustment.
- User statistics (sit/stand cycles, occupancy degree).
- Personal goals.
- Reminder function.
- Desk setup assistant for optimal office ergonomics.
- Customize the MOTION@work App to match your brand's unique style.

Software Portfolio

- Application Programming Interface
- Functionality: Up/down Memory positions
- Occupancy information
- LED control

Technical Data

| | |
|---|--|
| Supply voltage (retrofit-option) | 5 VDC +/- 10 % |
| Supply voltage (DYNAMIC MOTION-option) | 29.5 VDC +/- 10 % |
| Max. input current (retrofit-option) | 500 mA |
| Dimensions (l x w x h) | 137.3 x 108.0 x 23.1 mm |
| Weight | 110 g |
| Interface / connector types | Micro USB connector Bluetooth >4.1 |
| Compatibility | Visit www.kleverdesk.co.nz for a full list of compatible products |
| Degree of protection | IP 20 |
| Wireless Working Frequency | 2.4 GHz |
| Standards and regulations | RoHS directive 2011/65/EU REACH Regulation (EC) No 1907/ 2006 RED 2014/53/EU FCC Title 47 subpart 15 ICES-003 |

Motion@work App

Once connected Motion@work gives you the power to define your surroundings. You can adjust your desk height directly through the App, save your favorite positions to memory, and change your position display from inches to centimetres.

**Available on Google Play &
Apple App Store**



Klever Plans

| | | Klever Lite | Klever Personal | Klever Corporate |
|---|------------------------------|------------------------------------|------------------------------------|-----------------------------|
| | | Ideal for: End user at workstation | Ideal for: End user at workstation | Ideal for: Facility Manager |
| Hardware Portfolio | Wired Connectivity | | | |
| | USB | • | • | • |
| | System Connection | • | • | • |
| | Wireless Connectivity | | | |
| | NFC | | | • |
| | Bluetooth | • | • | • |
| | Wifi | | | • |
| | Interfaces | | | |
| | Occupancy Detection | | • | • |
| | Hand Control Buttons | • | • | • |
| | LEDs | | • | • |
| | Compatibility | | | |
| | All KLEVER systems | • | • | • |
| Software Portfolio motion@work App | App Features | | | |
| | Sit/Stand movement | • | • | • |
| | Memory positions | • | • | • |
| | Statistics | | • | • |
| | Troubleshooting | • | • | • |
| | Work Place Setup | • | • | • |
| | Reminders | • | • | • |
| | Connectivity | | | |
| | Bluetooth | • | • | • |
| | Availability | | | |
| Google PlayStore | • | • | • | |
| Apple AppStore | • | • | • | |
| Application Programming Interface | Functionality | | | |
| | Up/down | • | • | • |
| | Memory positions | • | • | • |
| | Display in cm/inch | • | • | • |
| | Occupancy information | | • | • |
| | Bluetooth detection | • | • | • |
| | Desk Booking | | | • |
| Occupancy Analytics | | | • | |

Klever Personal Plugs, Ports & Features

Klever Personal is a **Connectivity Hub** for customising your working environment with the **motion@work App**. Consult the accompanying manual for full installation instructions, if required.

1. Mounting Points
2. Presence Sensor
(Klever Corporate & Personal Only)
3. LED Signal Lights
(Klever Corporate & Personal Only)
4. Micro-USB Port
5. Reset Key (Bluetooth Pairing Key)
6. Mini-Fit Port
7. NFC Area
(Klever Corporate & Personal Only)
8. UP / DOWN Keys
9. Wi-Fi Communication Module
(Klever Corporate Only)



C Tick Tested to AU/NZ electrical standards. 

Klever Neo Plugs, Ports & Features

The Klever Neo is a **Control Box** for **Height-Adjustable Tables**. Consult the accompanying manual for full installation instructions, if required.

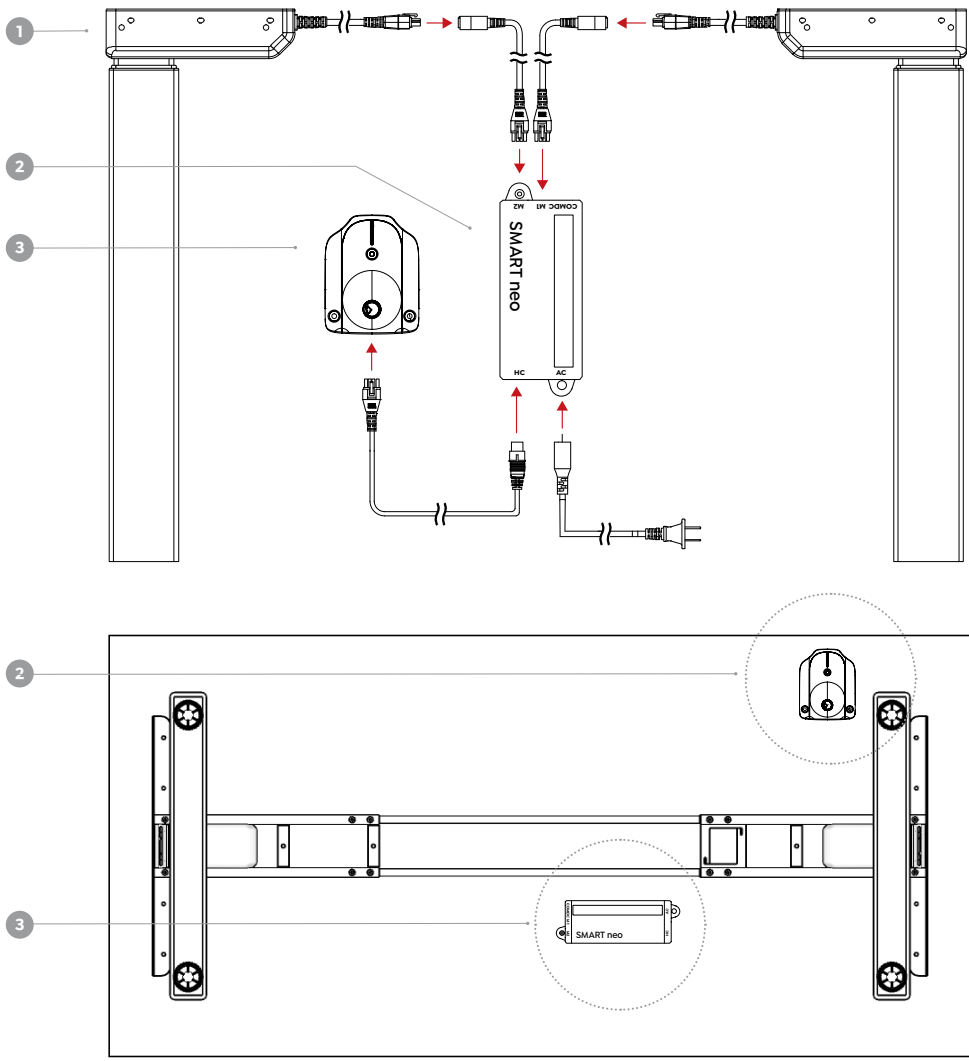
1. Hand Control Port (HC)
2. AC Input Port (Power Cable)
3. DC/Com Port
4. Motor Port 1 (M1)
5. Motor Port 2 (M2)



Klever Personal Setup

Below drawing illustrates the Klever Desk & Electronic control boxes. Refer to the Klever manual in downloadable pdf format, for full installation guide and details, if required.

1. Klever Desk
2. Smart Neo Box
3. Klever Personal Box



Contact your **OfficeMax Account Manager** for pricing structures for the Lite, Personal & Corporate Plans.
Visit klever.co.nz for more information and product specifications.

Ready for the next level?



Exclusive Reseller of Klever Desk™

kleverdesk.co.nz