



Klever Lite

Get more from your office.

Exceptional European design, made for NZ workplaces - Klever is a smart, intuitive desk system for healthier and more productive workplace. Perfect for a broad range of desk users who need solutions to the post-COVID regulations.



Customise. Adapt. Personalise.

We've blended human-centered design with smart technology to create an adjustable standing desk that is better suited to the needs of today's businesses.



Designed in Germany



Powerful Anti-Collision
Protection System



20 Year Warranty

Klever Lite Features

- Communication hub for end users with Bluetooth connectivity.
- Compatibility with Klever Control Boxes, DYNAMIC MOTION system, and fixed workstations
- No need for an additional Hand Control.
- Cleanability: Robust design facilitates cleaning with agents that can eliminate COVID-19.
- Up/Down buttons for manual table control
- MOTION@work App: Ergonomics & wellness in workplace.

MOTION@work App

- Specially developed App for Android and iOS.
- Bring freedom and flexibility to your workspace.
- Adjust your desk height directly through the App.
- Save your favourite positions to memory.
- Full control of your posture, comfort, and well-being.
- Sit/stand position adjustment.
- User statistics (sit/stand cycles, occupancy degree).
- Personal goals.
- Reminder function.
- Desk setup assistant for optimal office ergonomics.
- Customize the MOTION@work App to match your brand's unique style.

Hardware Portfolio

- Compatibility:
 - All LOGICDATA Control Boxes
 - DYNAMIC MOTION system
 - Fixed workstations.

Software Portfolio

- Application Programming Interface
- Functionality: Up/down Memory positions

Technical Data

Supply voltage (retrofit-option)	5 VDC +/- 10 %
Supply voltage (DYNAMIC MOTION-option)	29.5 VDC +/- 10 %
Max. input current (retrofit-option)	500 mA
Dimensions (l x w x h)	137.3 x 108.0 x 23.1 mm
Weight	110 g
Interface / connector types	Micro USB connector Bluetooth >4.1
Compatibility	Visit www.kleverdesk.co.nz for a full list of compatible products
Degree of protection	IP 20
Wireless Working Frequency	2.4 GHz
Standards and regulations	RoHS directive 2011/65/EU REACH Regulation (EC) No 1907/ 2006 RED 2014/53/EU FCC Title 47 subpart 15 ICES-003

Motion@work App

Once connected Motion@work gives you the power to define your surroundings. You can adjust your desk height directly through the App, save your favorite positions to memory, and change your position display from inches to centimetres.

**Available on Google Play &
Apple App Store**



Klever Plans

		Klever Lite	Klever Personal	Klever Corporate
		Ideal for: End user at workstation	Ideal for: End user at workstation	Ideal for: Facility Manager
Hardware Portfolio	Wired Connectivity			
	USB	•	•	•
	System Connection	•	•	•
	Wireless Connectivity			
	NFC			•
	Bluetooth	•	•	•
	Wifi			•
	Interfaces			
	Occupancy Detection		•	•
	Hand Control Buttons	•	•	•
	LEDs		•	•
	Compatibility			
	All KLEVER systems	•	•	•
Software Portfolio motion@work App	App Features			
	Sit/Stand movement	•	•	•
	Memory positions	•	•	•
	Statistics		•	•
	Troubleshooting	•	•	•
	Work Place Setup	•	•	•
	Reminders	•	•	•
	Connectivity			
	Bluetooth	•	•	•
	Availability			
	Google PlayStore	•	•	•
	Apple AppStore	•	•	•
	Application Programming Interface	Functionality		
Up/down		•	•	•
Memory positions		•	•	•
Display in cm/inch		•	•	•
Occupancy information			•	•
Bluetooth detection		•	•	•
Desk Booking				•
Occupancy Analytics				•

Klever Lite Plugs, Ports & Features

Klever Lite is a **Connectivity Hub** for customising your working environment with the **motion@work App**. Consult the accompanying manual for full installation instructions, if required.

- 1. Mounting Points
- 2. Presence Sensor
(Klever Corporate & Personal Only)
- 4. Micro-USB Port
- 5. Reset Key (Bluetooth Pairing Key)
- 6. Mini-Fit Port
- 7. NFC Area
(Klever Corporate & Personal Only)
- 8. UP / DOWN Keys
- 9. Wi-Fi Communication Module
(Klever Corporate Only)

C Tick Tested to AU/NZ electrical standards. 



Klever Neo Plugs, Ports & Features

The Klever Neo is a **Control Box** for **Height-Adjustable Tables**. Consult the accompanying manual for full installation instructions, if required.

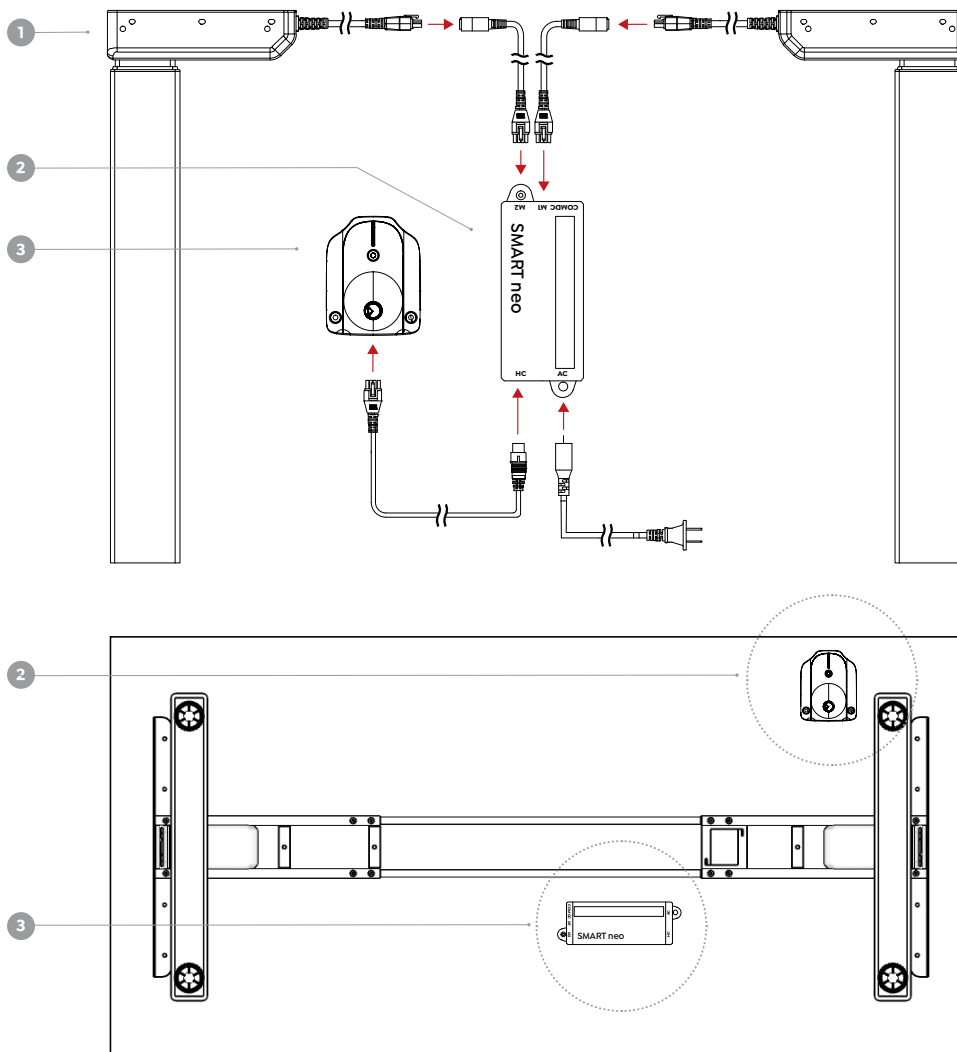
- 1. Hand Control Port (HC)
- 2. AC Input Port (Power Cable)
- 3. DC/Com Port
- 4. Motor Port 1 (M1)
- 5. Motor Port 2 (M2)



Klever Lite Setup

Below drawing illustrates the Klever Desk & Electronic control boxes. Refer to the Klever manual in downloadable pdf format, for full installation guide and details, if required.

1. Klever Desk
2. Smart Neo Box
3. Klever Lite Box



Contact your **OfficeMax Account Manager** for pricing structures for the Lite, Personal & Corporate Plans.
Visit klever.co.nz for more information and product specifications.

Ready for the next level?



Exclusive Reseller of Klever Desk™

kleverdesk.co.nz